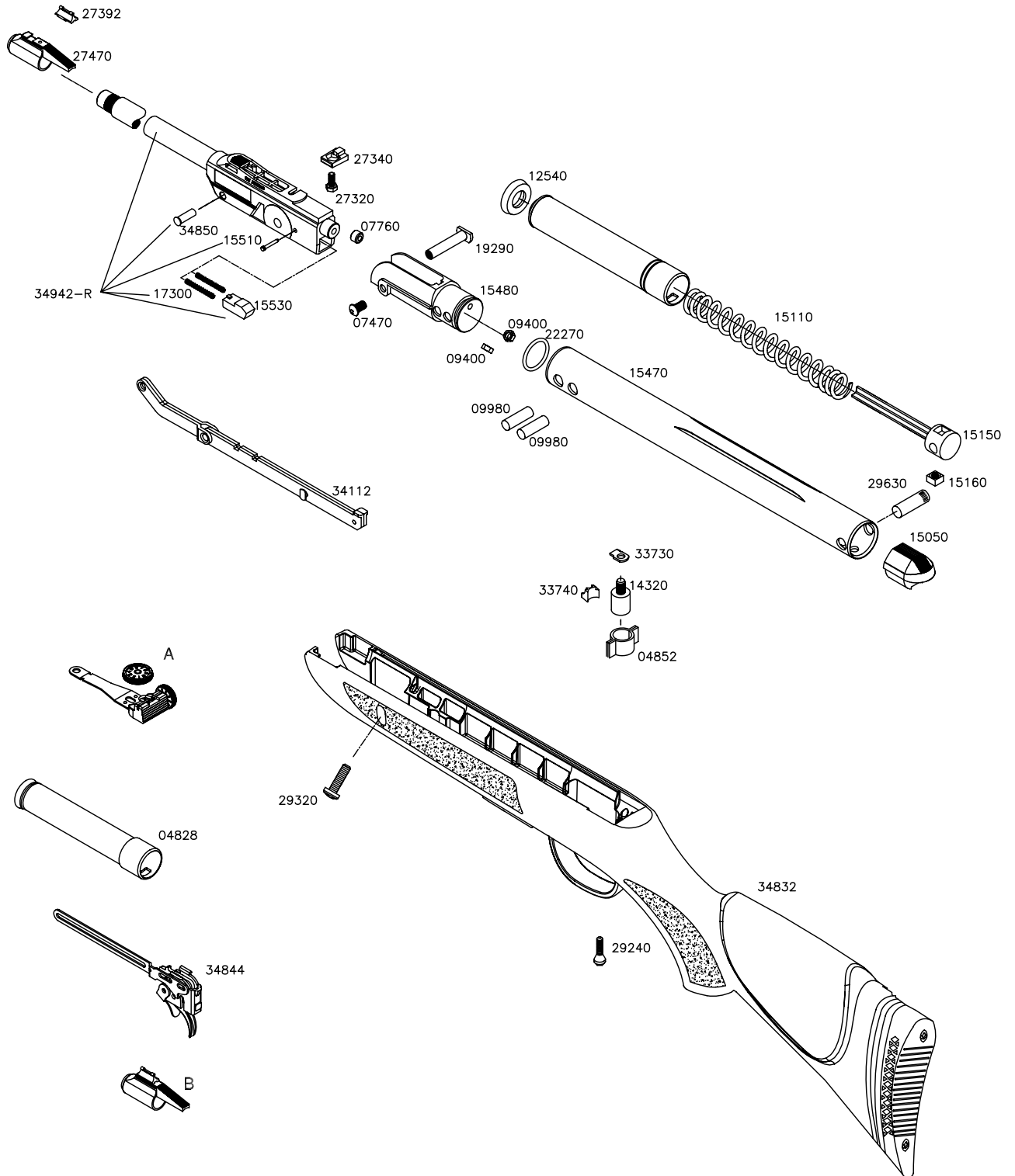


# DELTAMAX



	FIBRA OPT.	STANDARD
A	14964-NF	14964
B	27478	27476



Ref.: 6110019  
17.01.08